

## PRODUCT DESCRIPTION

These rugged outdoor speakers are specifically designed for Foreground Commercial applications. This solution offers High Fidelity, Higher loudness and smooth coverage wherever hidden audio is required. The direct coverage sound radiates from two coaxial drivers that provide sound in a complete circle, creating a 360° audio field with minimal dead spots.

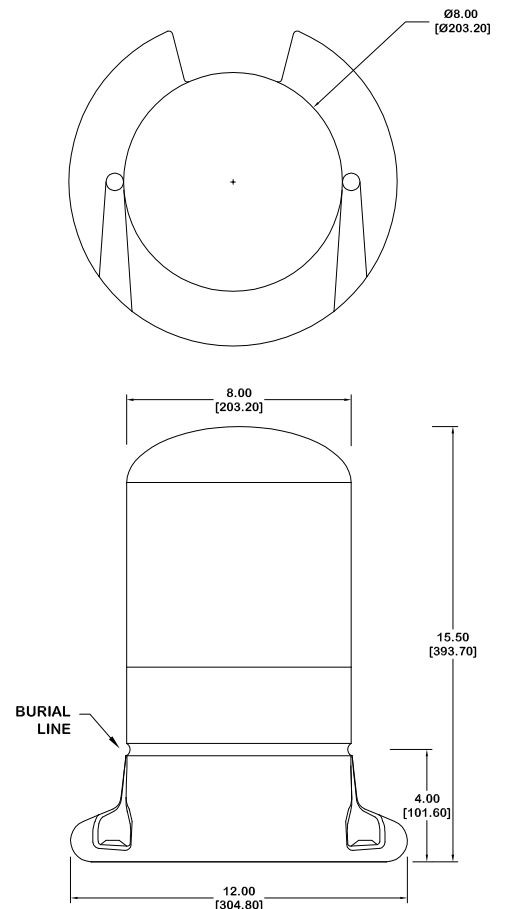
Best installation method is to place the speakers 5-20 Ft back from walkways 20-30 ft spacing in shrubbery and avoid lawn areas.

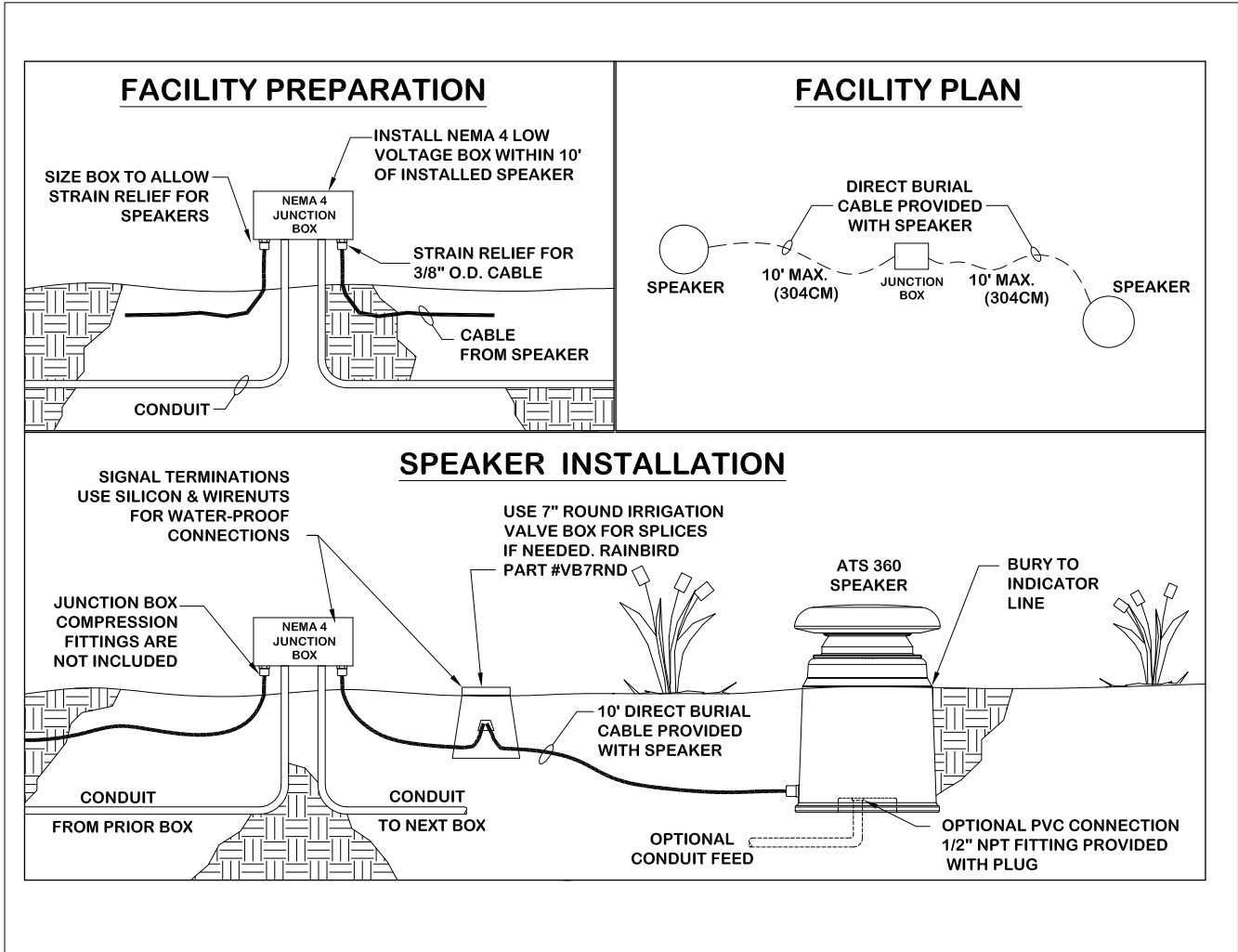
## PRODUCT SPECS

Speaker	2 ea. 5.25" Inch, Coaxial
Enclosure	Light Green , Polyethylene, UV resistant
Connections	6 Ft – Direct Burial Cable Whip, Conduit Fitting
Direct Connection	8 Ohm Via Jumper
70V Amplifier Connection	8W,16W,32W Selectable
100V Amplifier Connection	16W,32W, 64W Selectable
Sound Power Rating	100 Watts
1 W 1 M Sensitivity @ 1 kHz	87 dB
Maximum Rated Output @ 1 M	104 dB
Frequency Response (-10)	50Hz – 20kHz
Loudspeaker Warranty	3 Years in Normal use, Direct water Spray excluded, avoid placement next to Sprinklers
Enclosure Warranty	10 Years– Excluding Grill

## PART NUMBERS

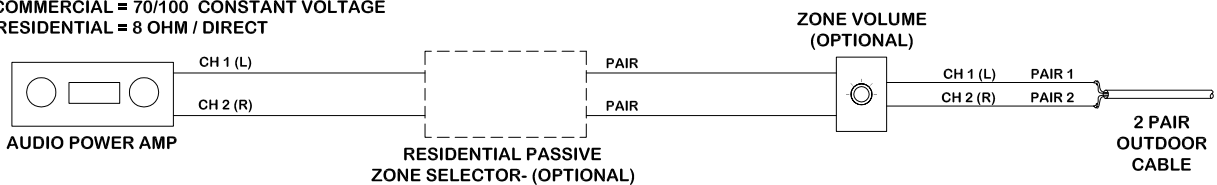
ATS-Bollard Complete Loudspeaker Assembly  
 ATS-Bollard SPKR Replacement Speaker Pair without Transformer  
 ATS-Bollard –ENC – Enclosure – Complete with Grill  
 ATS-Bollard –Grill





## TYPICAL WIRING CONFIGURATIONS

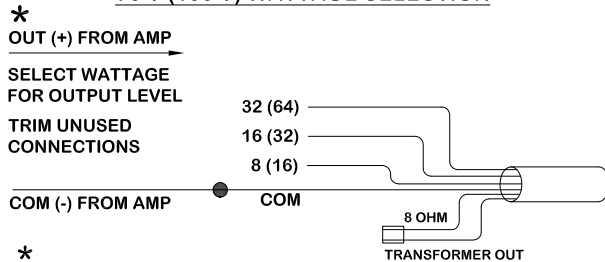
COMMERCIAL = 70/100 CONSTANT VOLTAGE  
RESIDENTIAL = 8 OHM / DIRECT



## TYPICAL STEREO DISTRIBUTION

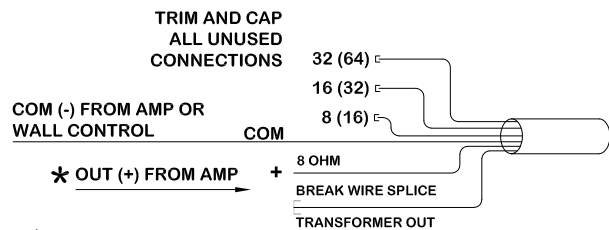


### 70 V (100 V) WATTAGE SELECTION



**\* CONFIRM THAT TOTAL WATTAGE ALL SPEAKERS DOES NOT EXCEED AMPLIFIER POWER RATING. USE 40 Hz HIGH PASS FILTER IF AVAILABLE FOR HIGH LOUDNESS APPLICATIONS**

### 8 - OHM CONNECTIONS



**\* OUT (+) FROM AMP +**  
**\* OBSERVE PROPER POLARITY FOR ALL SPEAKERS**