

## PRODUCT DESCRIPTION

These Omni-directional outdoor speakers are designed for applications where smooth coverage, hidden audio is required. Rugged and built to be buried in any terrain, Mushroom® Speakers provide a music source that blends into the landscape. The sound radiates in a complete circle, creating a uniform 360° audio field without loud or dead spots.

The ATS-360GT is a high-efficiency, high-reliability model suitable for most low-powered residential and commercial music and paging applications.

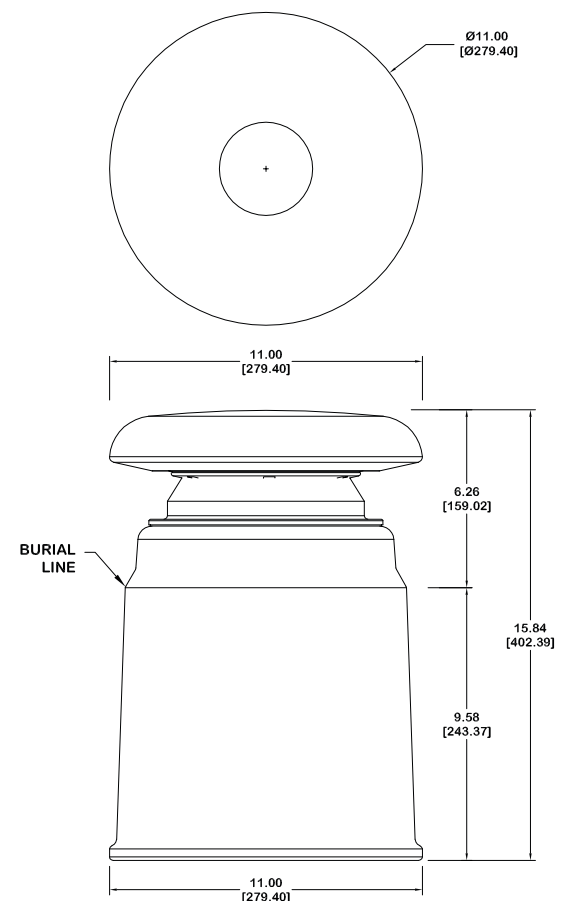
Best installation method is to place the speakers 5-10 ft back from walkways 15-20 ft spacing in shrubbery and avoid lawn areas.

## PRODUCT SPECS

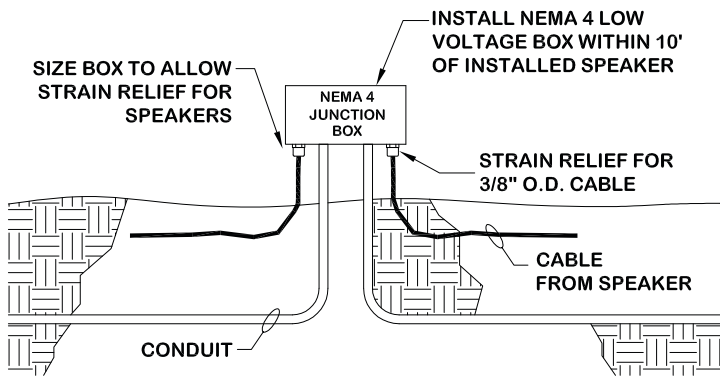
|                             |  |
|-----------------------------|--|
| Speaker                     | 8 Inch Full Range Speaker with integral Grill  |
| Enclosure                   | Green , Polyethylene, UV resistant   |
| Connections                 | 10 Ft – Direct Burial Cable Whip, Conduit Fitting                                      |
| Direct Connection           | 8 Ohm Via Jumper   |
| 70V Amplifier Connection    | 4W,8W,16W Selectable   |
| 100V Amplifier Connection   | 8W,16W, 32W Selectable   |
| Sound Power Rating          | 50 Watts   |
| 1 W 1 M Sensitivity @ 1 kHz | 85 dB  |
| Maximum Rated Output @ 1 M  | 103 dB   |
| Frequency Response (-10)    | 45Hz – 9.5KHz  |
| Loudspeaker Warranty        | 3 Years in Normal use, Direct water Spray excluded, avoid placement next to Sprinklers |
| Enclosure Warranty          | 10 Years–We have enclosure products installed and operational for over 30 years        |

## PART NUMBERS

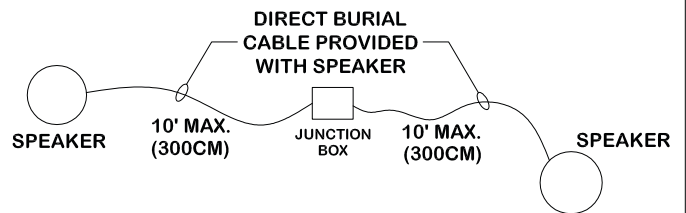
ATS-360GT16 – Complete Loudspeaker Assembly  
 ATS-360-SPKR Replacement Speaker without transformer  
 ATS-360-SPKR T8- Legacy Replacement Speaker with 8W Transformer  
 ATS-360-SPKR T16 Replacement Speaker with 16W Transformer  
 ATS-360 G Lid –Green Lid  
 ATS-360G –ENC – Enclosure Bottom – Green



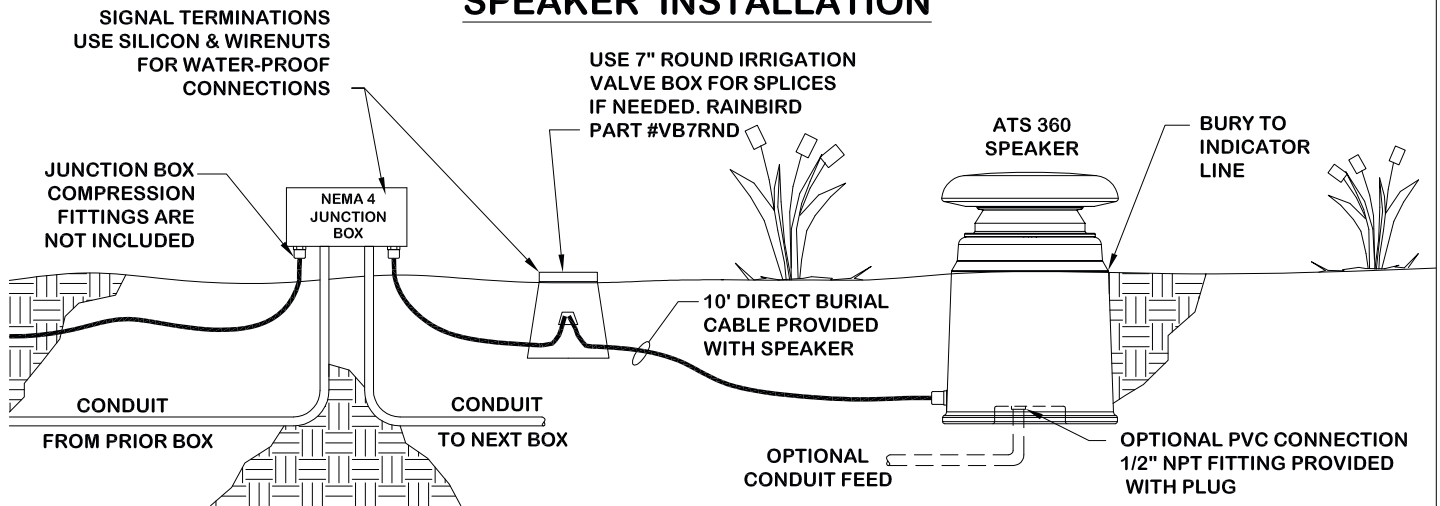
## FACILITY PREPARATION



## FACILITY PLAN

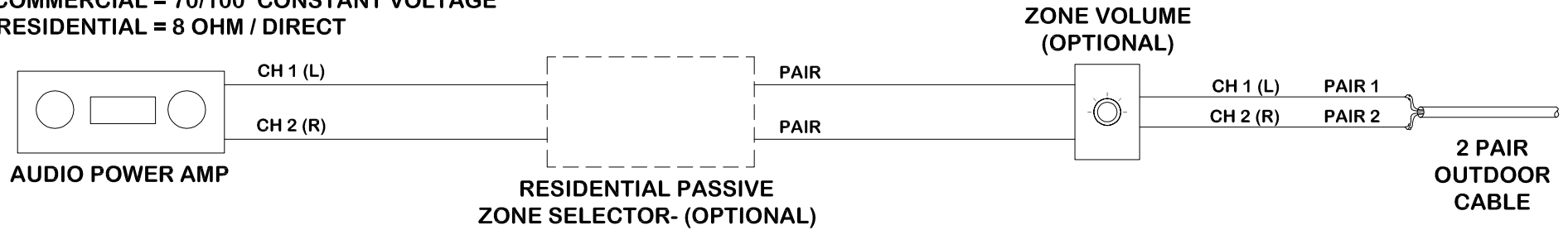


## SPEAKER INSTALLATION

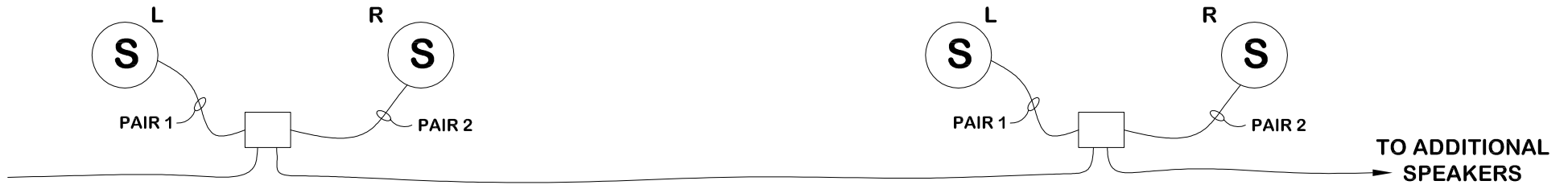


# TYPICAL WIRING CONFIGURATIONS

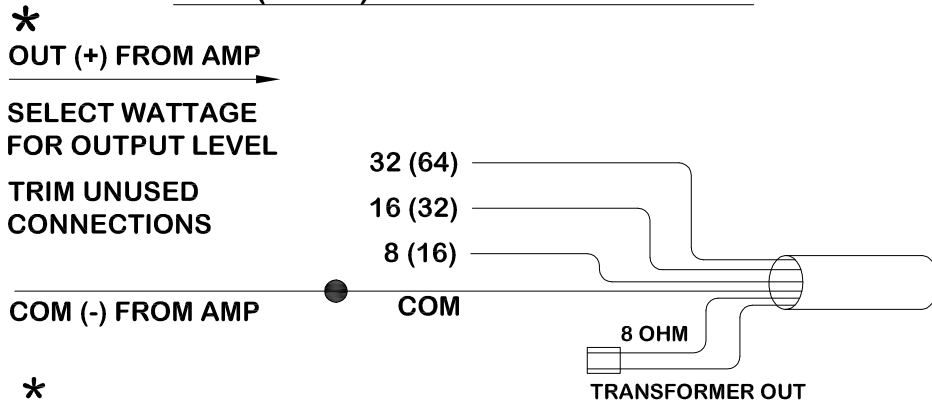
COMMERCIAL = 70/100 CONSTANT VOLTAGE  
RESIDENTIAL = 8 OHM / DIRECT



# TYPICAL STEREO DISTRIBUTION

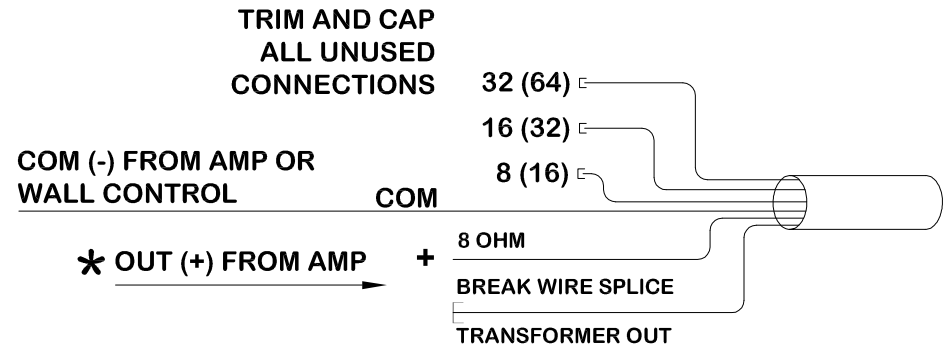


## 70 V (100 V) WATTAGE SELECTION



**\* CONFIRM THAT TOTAL WATTAGE ALL SPEAKERS DOES NOT EXCEED AMPLIFIER POWER RATING. USE 40 Hz HIGH PASS FILTER IF AVAILABLE FOR HIGH LOUDNESS APPLICATIONS**

## 8 - OHM CONNECTIONS



**\* OBSERVE PROPER POLARITY FOR ALL SPEAKERS**